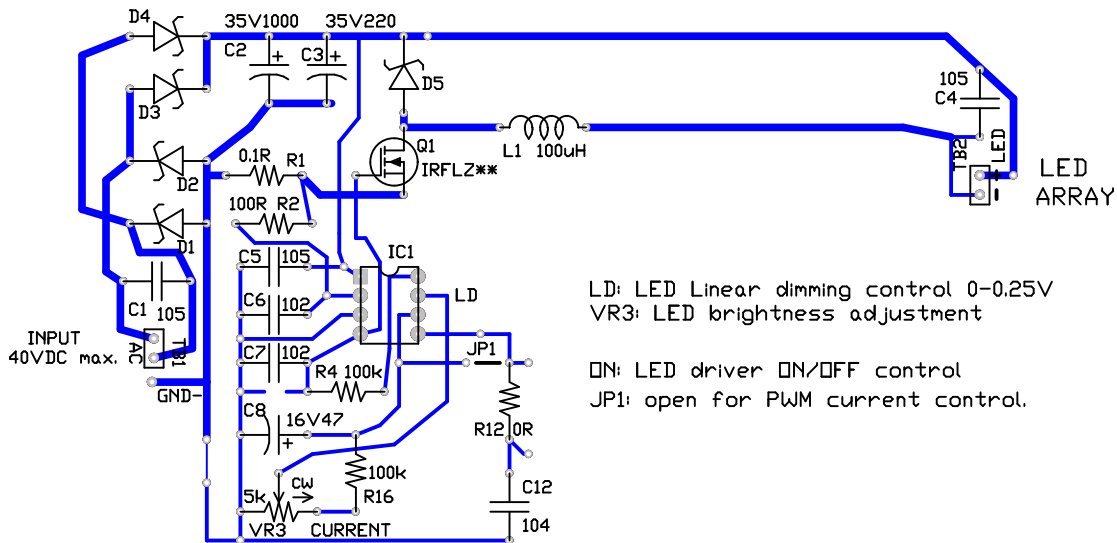


HV9910B



Part: PCB-MFSRC  
 DigiKey.com parts  
 R1: RSMF1JTR100CT-ND  
 R\*, 1/8W, 5%  
 <value>EBK-ND  
 2.2KEBK-ND => 2.2K resistor  
 D\*: schottky diodes, 3A/5A  
 D\*:1N5822-TPMSCT-ND  
 C(10\*): MLCC, value  
 C2/C3: P12411-ND/P12406-ND  
 VR3: 3362P-502LF-ND top adjust  
 TB1/2: 609-3918-ND  
 C8: P5528-ND  
 IC1: HV9910B  
 Q1: IRF244ZPBF-ND  
 L1: 811-1345-ND

LD: LED Linear dimming control 0-0.25V  
 VR3: LED brightness adjustment

DN: LED driver ON/OFF control  
 JP1: open for PWM current control.

Part: PCB-MFSRC  
 DigiKey.com parts  
 Match components with suitable current and voltage rating  
 Onstate Tech.  
 VR3= 0-0.35V LED brightness control.  
 Use GND- and AC in for DC power input  
 See HV9910B data sheet for more design information

Confidential | ©2011 Onstate Technologies Inc.



All information are property of Onstate Technologies Inc.  
 No information shall be disclosed without permission from Onstate Technologies Inc.