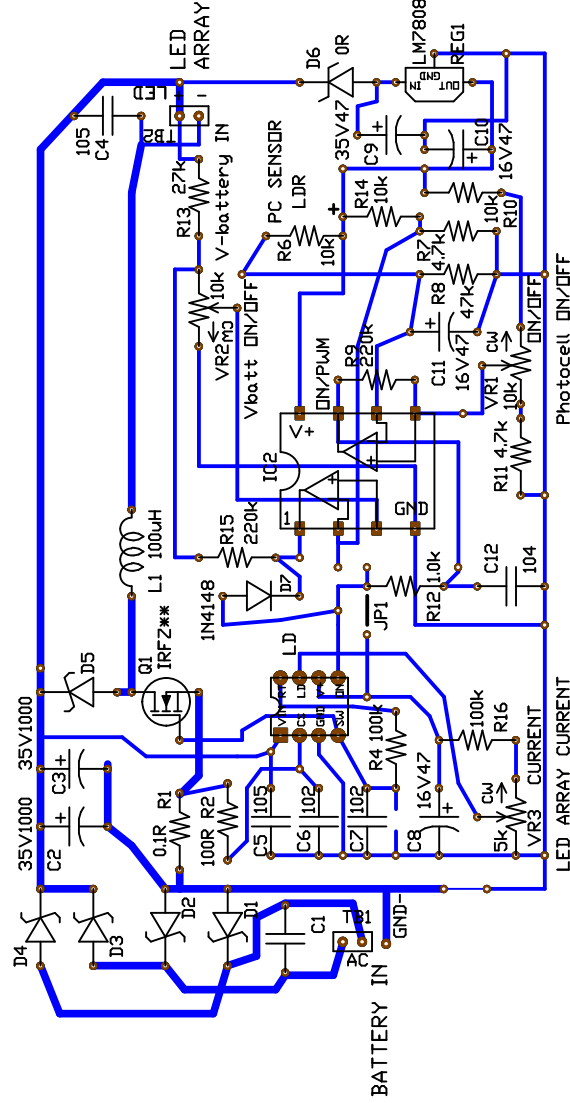


Part: PCB-MFSRC
 DigiKey.com parts
 R1: RSMF1JTR100CT-ND
 R*, 1/8W, 5%
 <value>EBK-ND
 2.2KEBK-ND => 2.2K resistor
 D*: schottky diodes, 3A/5A
 D#iN5822-TPM5CT-ND
 C(10*): MLCC, value
 C2/C3: P12411-ND/P12406-ND
 VR3: 3362P-502LF-ND top adjust
 TBI/2: 609-3918-ND
 C8/9/10: P5528-ND, C9>25V
 IC1: HV9910B
 Q1: IRFZ44ZPBF-ND
 L1: 811-1345-ND
 LDR: PDV-P9203-ND
 D6: zener diode shunt for >30Vin



VR2: Battery shut-off adj.
 Voff=11.4V, Von=12.4V, R15.
 Vbat ref=IC1 Pin2
 Von/off= Pin3

VR1: Photocell day/night on/off

Von/off= Pin3

Part: PCB-MFSRC
 DigiKey.com parts
 Match components with suitable current and voltage rating
 and voltage rating
 VR3= 0-0.35V LED brightness control.
 Use GND- and AC in for DC power input
 See HV9910B data sheet for more design information

use standard parts.