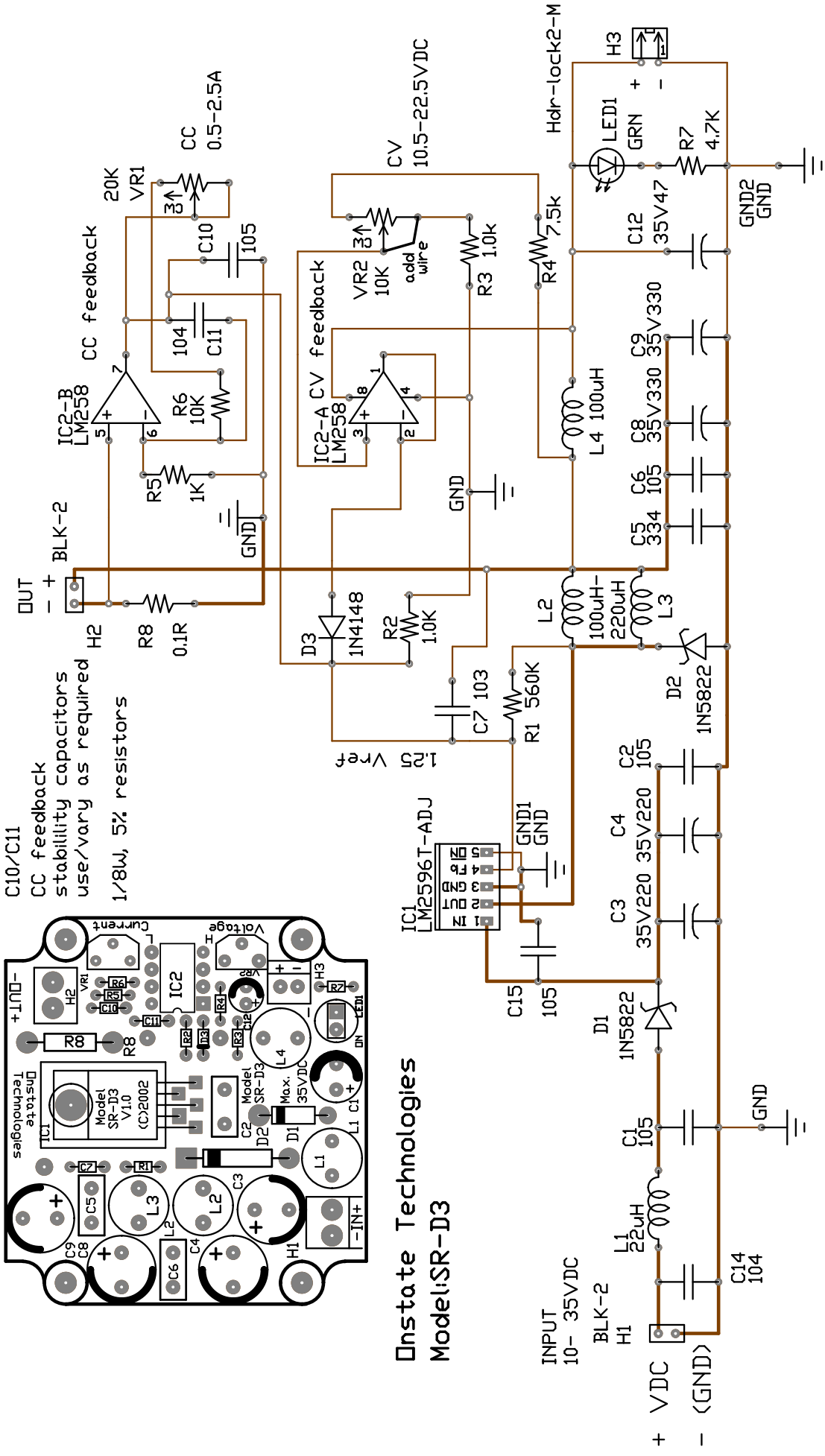


**Onstate Technologies  
Model:SR-D3**



C10/C11  
CC feedback  
stability capacitors  
use/vary as required  
1/8W, 5% resistors

1.25 V<sub>ref</sub>

INPUT  
10- 35VDC

C14  
104

GND2  
GND

GND